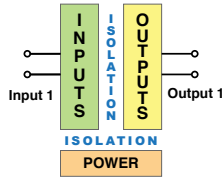




Leopard TL-IP02 4-20mA Isolator / Controller

- ▶ Compact, 22.5mm, DIN Rail Mount Isolator
- ▶ 4-20mA to 4-20mA Isolator
- ▶ Two optional 6A FormC Relays
- ▶ Triple Isolated: Power to Inputs
Power to Outputs
Inputs to Outputs



2 Wire Connection
4-20mA IN
24V excitation

3 Wire Connection
4-20mA IN
24V excitation

ACTIVE OUTPUT
- 4-20mA
+ Isolated 0-10V

6A Form C Relays
SP1 Optional Relay
SP2 Optional Relay

POWER SUPPLY
PS2
PS1

POWER SUPPLY
15 to 48 VAC 3.5W
50-400 Hz
Fuse Not Replaceable
10 to 72 VDC 3.5W

85 to 265 VAC 3.5W
50-400 Hz
95 to 300 VDC 3.5W

Optional Remote Display Programmer
Needed for Programming Relays



TL-IP02. . . Process Loop, 4-20mA(0-100.00) w/24VDC Exc.....\$195

▶ **POWER SUPPLY**

PS1 85-265VAC/95-300VDC\$0
PS2 15-48VAC/10-72VDC\$35

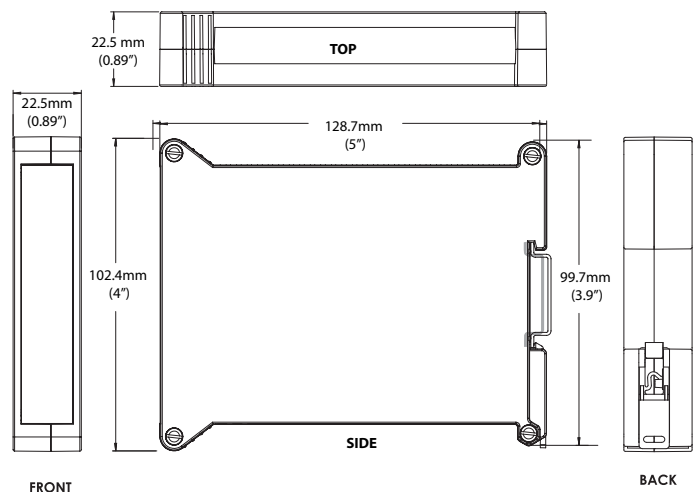
▶ **RELAY OUTPUT**

R11. . Single 6A Form C Relay\$40
R12. . Dual 6A Form C Relays\$75

Short Depth 96x48 Remote Display/Programmer Kit
OP-TL/RDISP. . Remote Display/Programmer
w/Cable and Belt clip Carrying Case\$75



CASE DIMENSIONS



- For ordering info call: 1-800-TEXMATE or 760 598-9899
 - Email: orders@texmate.com • Fax: (760) 598-9828
 - For tech assistance call: (760) 598-9899
- 450 State Place, Escondido, CA 92029